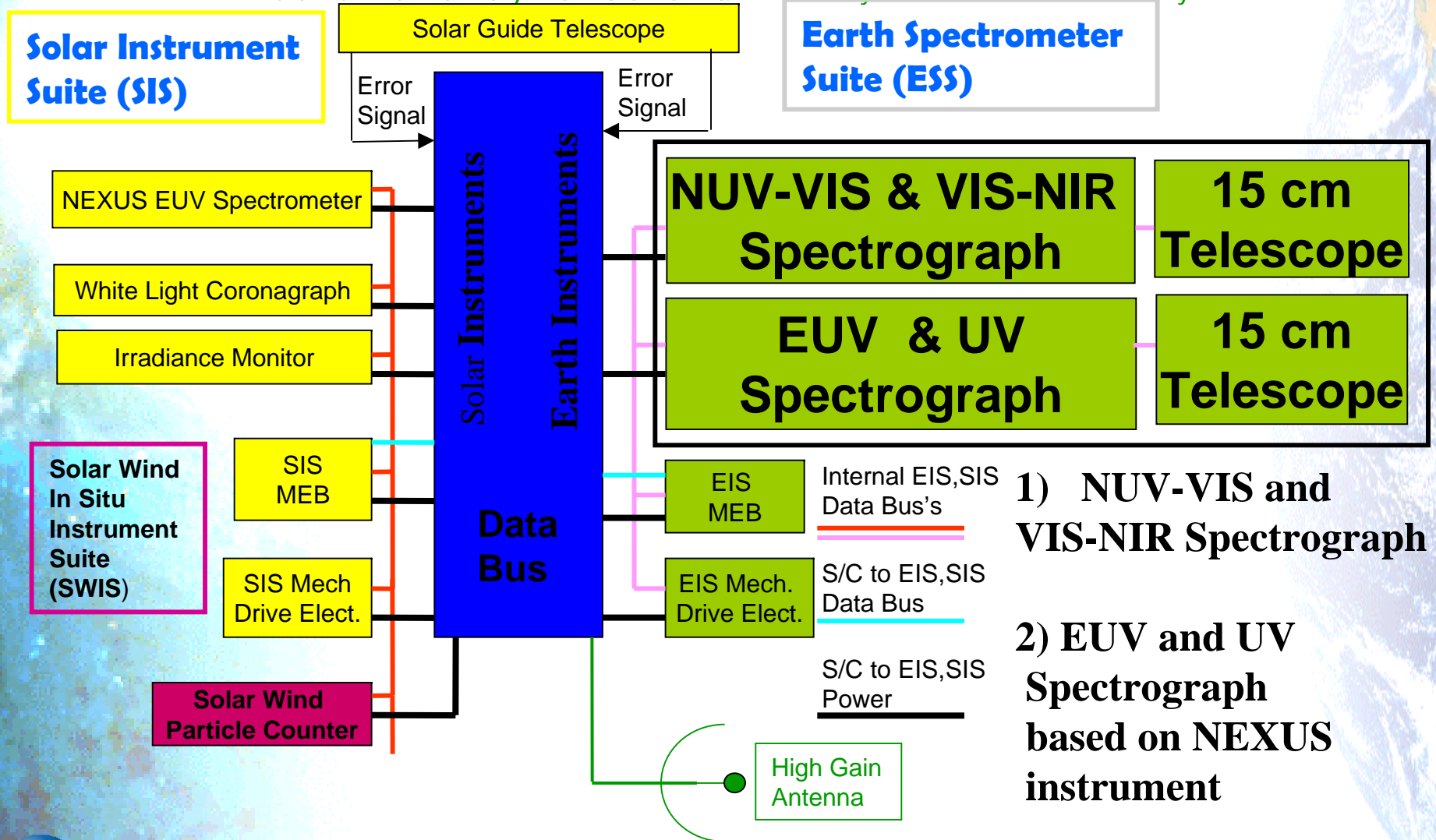




# Instruments Block Diagram

Instrument Synthesis & Analysis Laboratory



1) NUV-VIS and VIS-NIR Spectrograph

2) EUV and UV Spectrograph based on NEXUS instrument

